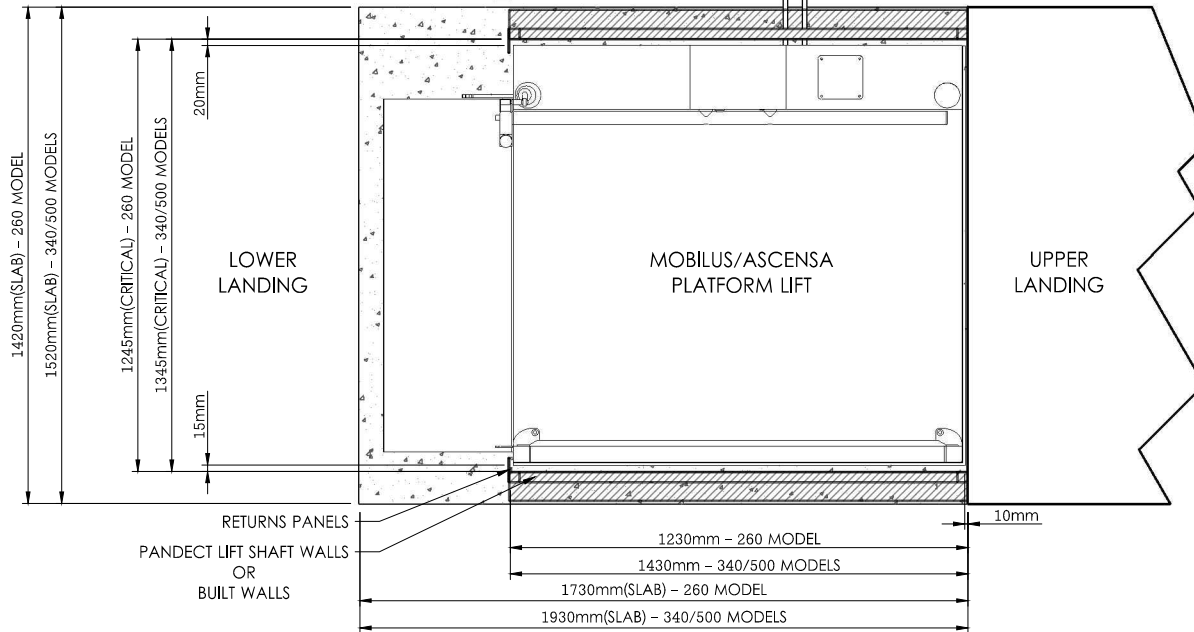


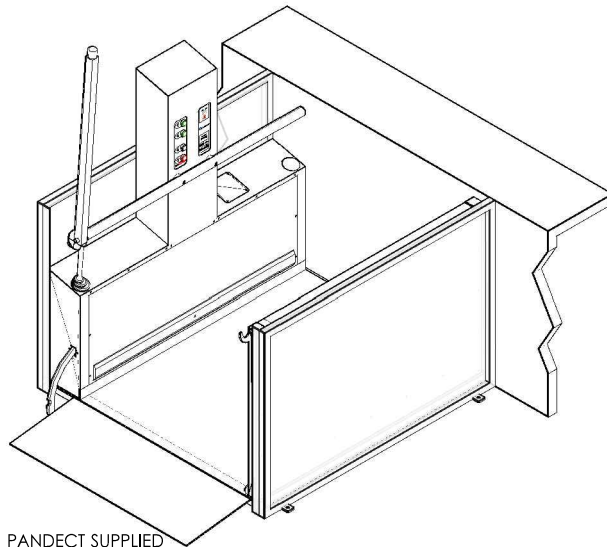
TO LANDING CALL BUTTON (LOWER) - LOCATION SITE SPECIFIC
 TO POWER OUTLET 240V/10A LOCKABLE ISOLATION - LOCATION SITE SPECIFIC

TO LANDING CALL BUTTON (UPPER) - LOCATION SITE SPECIFIC
 TO LANDING GATE IF REQUIRED

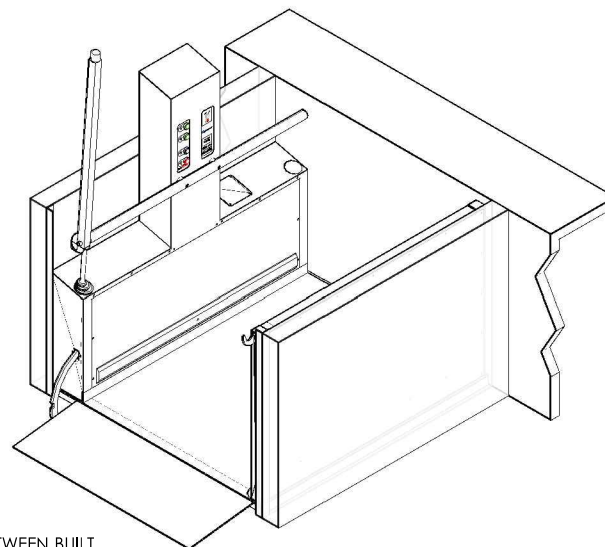


NOTE:

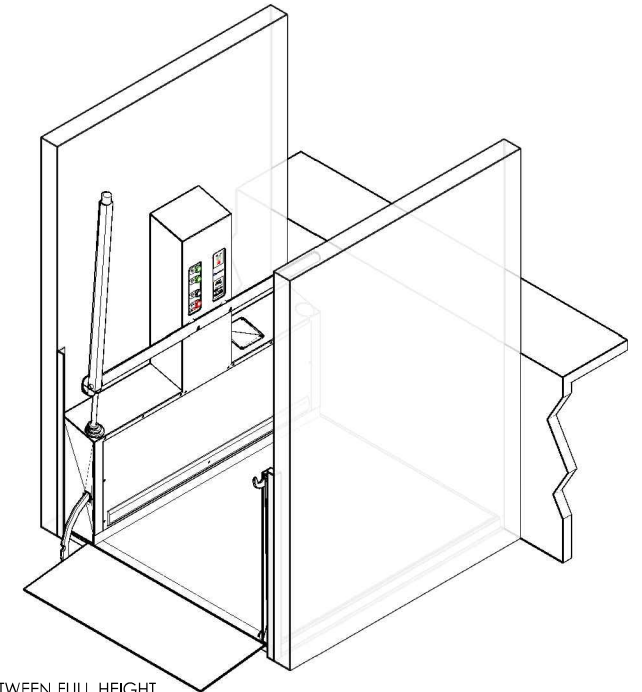
- ENSURE CONCRETE IS LEVEL (100mm min./20mPa. For timber floors refer to Installation Instructions)
- ALL SURFACES ADJACENT TO LIFT TO BE SQUARE, PLUMB AND SMOOTH
- CONFIRM RUNNING CLEARANCES AT TIME OF INSTALLATION (NZS 4334:2012 6.1)
- REFER TO LANDING DETAILS DRAWING FOR CALL BUTTON LOCATIONS
- IF LANDING PROTECTION IS TO BE INSTALLED REFER TO LANDING PROTECTION DRAWING



BETWEEN PANDECT SUPPLIED LIFT SHAFT WALLS (WITH CAR WALL)



BETWEEN BUILT LIFT SHAFT WALLS (WITH CAR WALL)



BETWEEN FULL HEIGHT BUILT LIFT SHAFT WALLS (WITHOUT CAR WALL)



MOBILUS/ASCENSA STRAIGHT THROUGH EXIT INSTALLATION DRAWING - NEW ZEALAND

LIFT SHAFT WALL OPTIONS, INSTALLATION DIMENSIONS, CLEARANCES

date	08 - 08 - 2012	scale	n.t.s.
drawn by	b. whiting	revision	001
file name	Mobilus - Ascensa Installation	page	001