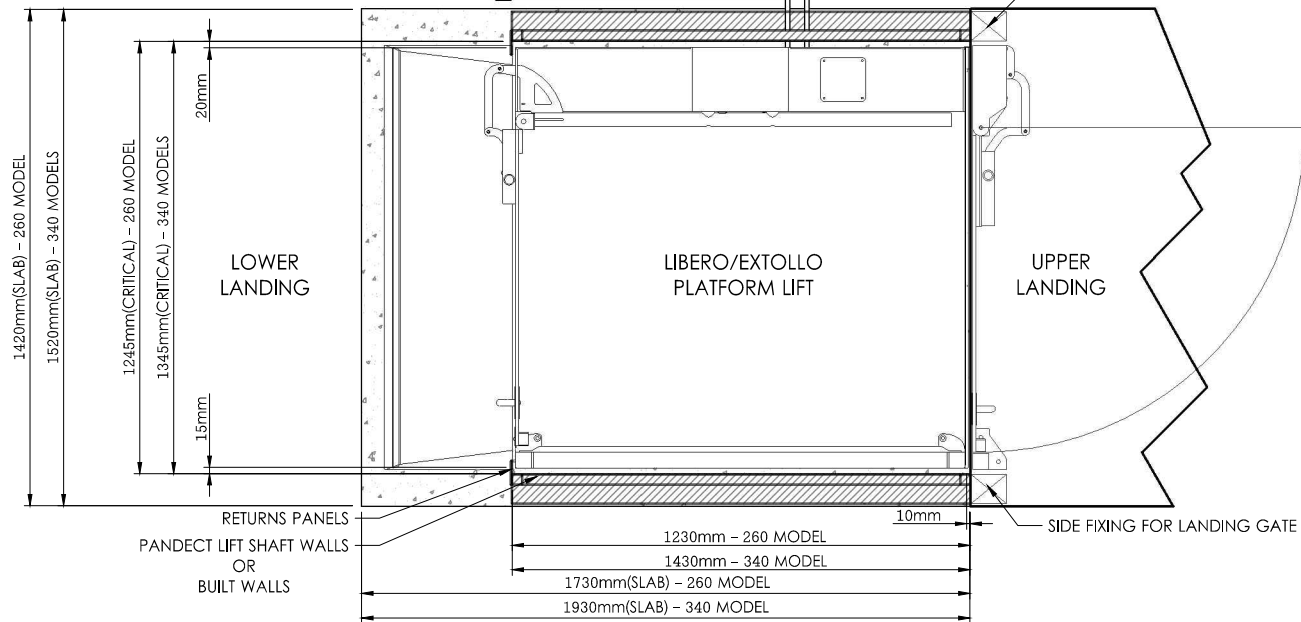
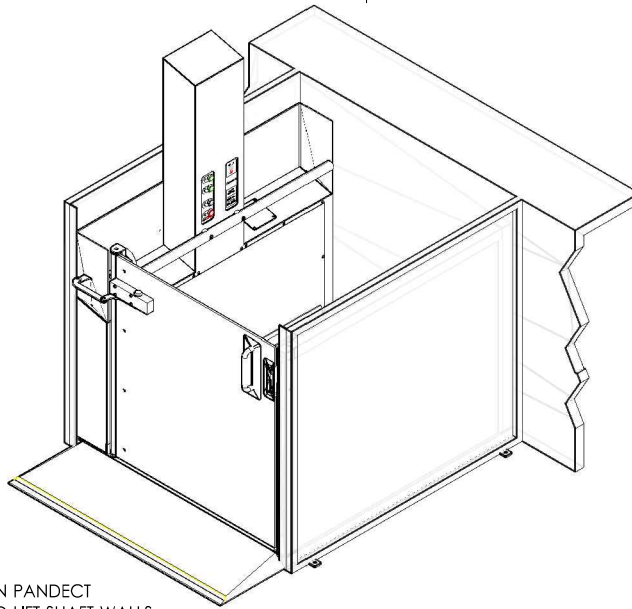


TO LANDING CALL BUTTON (LOWER) - LOCATION SITE SPECIFIC
 TO POWER OUTLET 240V/10A LOCKABLE ISOLATION - LOCATION SITE SPECIFIC
 TO LANDING CALL BUTTON (UPPER) - LOCATION SITE SPECIFIC TO LANDING GATE

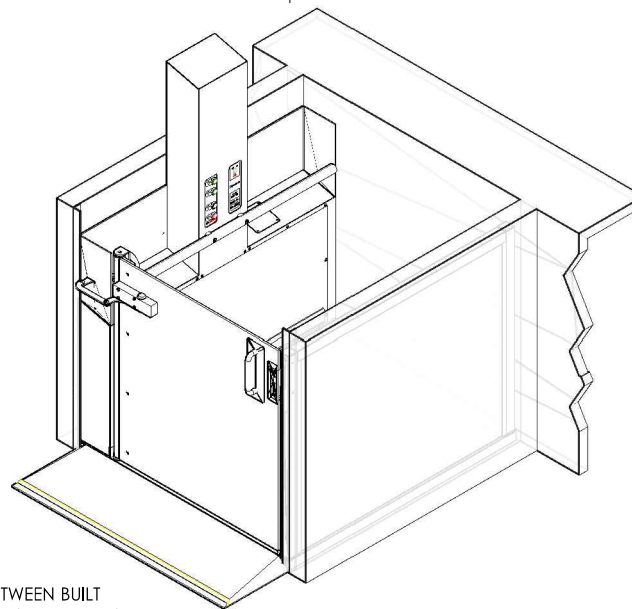


NOTE:

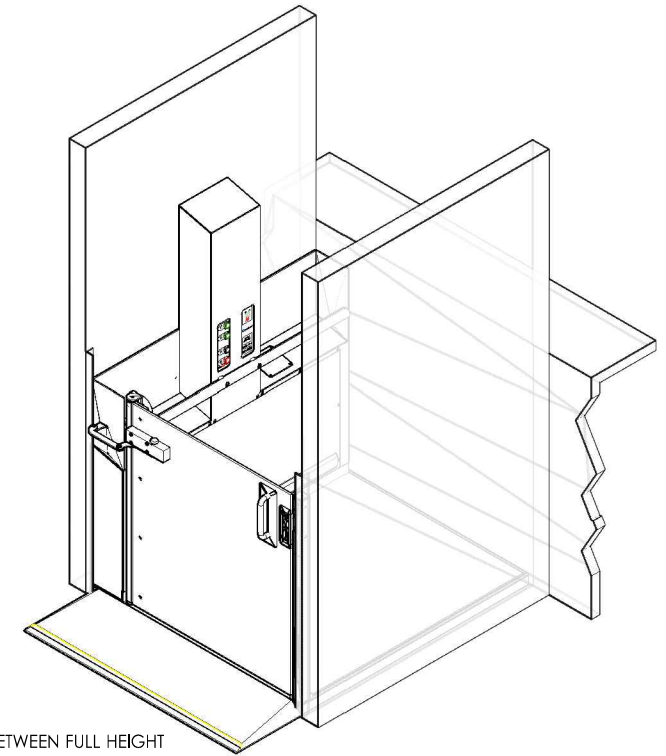
- ENSURE CONCRETE IS LEVEL (100mm min./20mPa. For timber floors refer to Installation Instructions)
- ALL SURFACES ADJACENT TO LIFT TO BE SQUARE, PLUMB AND SMOOTH
- CONFIRM RUNNING CLEARANCES AT TIME OF INSTALLATION (NZS 4334:2012 6.1)
- ALLOW 10mm RUNNING CLEARANCE BETWEEN THRESHOLD RAMP AND PLATFORM
- REFER TO LANDING DETAIL DRAWING FOR CALL BUTTON LOCATIONS
- FOR LANDING PROTECTION REFER TO LANDING PROTECTION DRAWING



BETWEEN PANDECT SUPPLIED LIFT SHAFT WALLS (WITH CAR WALL, LANDING GATE NOT SHOWN)



BETWEEN BUILT LIFT SHAFT WALLS (WITH CAR WALL, LANDING GATE NOT SHOWN)



BETWEEN FULL HEIGHT BUILT LIFT SHAFT WALLS (WITHOUT CAR WALL, LANDING GATE NOT SHOWN)



LIBERO/EXTOLLO STRAIGHT THROUGH EXIT INSTALLATION DRAWING - NEW ZEALAND
 LIFT SHAFT WALL OPTIONS, INSTALLATION DIMENSIONS, CLEARANCES

DATE	09 - 08 - 2012	SCALE	n.f.s.
DESIGN BY	b. whitling	VERSION	001
PROJECT NAME	Libero - Extollo Installation	DWG NO	001